

Body A



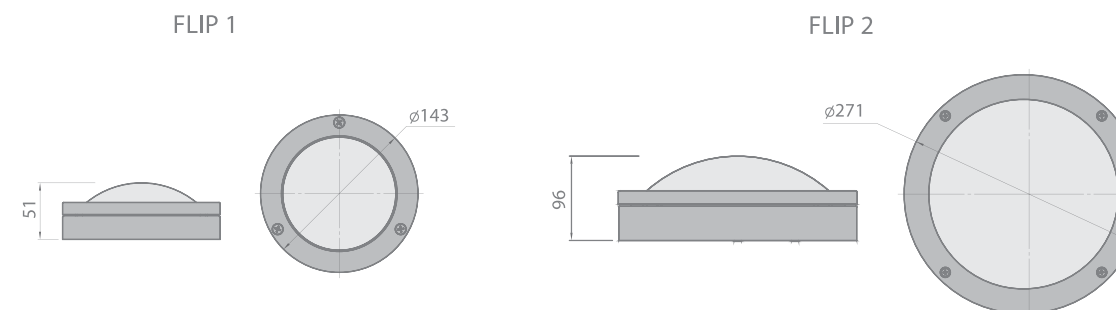
Body B



Body C



Body D



- Light sources:** LED or an incandescent lamp of up to 100 W with base E27.
- Power supply:** The power source is included in the scope of supply.
- Design:** Body - cast aluminium.
Protection class - IP65.
- Diffuser:** Dome - opal.
- Coating:** Powder coated. Coating in any colour from the standard colour range (p. 213).
- Connection:** The max. section of the connected conductors is up to 4 mm².

Facade Flip



Code	Power, W	Light source	Light flux, lm	Weight, kg
FLIP 1 - A 3K	8	LED	555	0,4
FLIP 1 - A 4K	8	LED	555	0,4
FLIP 1 - B 3K	8	LED	481	0,4
FLIP 1 - B 4K	8	LED	481	0,4
FLIP 1 - C 3K	8	LED	222	0,4
FLIP 1 - C 4K	8	LED	222	0,4
FLIP 1 - D 3K	8	LED	444	0,4
FLIP 1 - D 4K	8	LED	444	0,4
FLIP 2 - A 3K	12	LED	720	1,5
FLIP 2 - A 4K	12	LED	720	1,5
FLIP 2 - B 3K	12	LED	624	1,5
FLIP 2 - B 4K	12	LED	624	1,5
FLIP 2 - A (B)	100	ILB	-	1,5

Code	Power, W	Light source	Light flux, lm	Weight, kg
FLIP 2 - A (B)	100	ILB	-	1,5

A luminaire order code consists of the product code - the body type - the body colour code from the standard colour range, for instance: FLIP 1 - D - GR/MM