



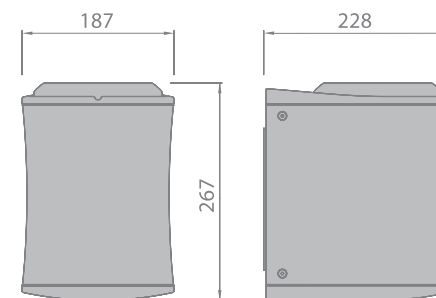
Brackets for REV1 luminaire installation on the Ø 60 pole



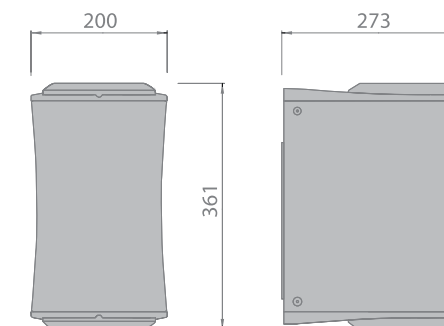
REV1 KR 1X

REV1 KR 2X

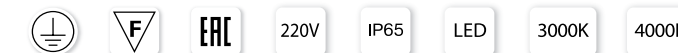
REVERSE 1



REVERSE 2



Facade Reverse

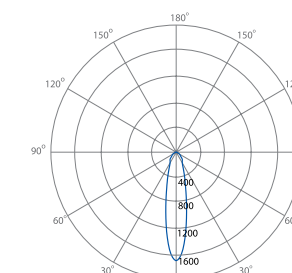


Code	Power, W	Light source	Light angle	Lamp holder	Light flux, lm	Weight, kg
REV1-35M	35	HIT		G12	-	6,7
REV1-70M	70	HIT		G12	-	6,9
REV1-150M	150	HIT		G12	-	7,6
REV2-35M	2 x 35	HIT		G12	-	9,9
REV2-70M	2 x 70	HIT		G12	-	10,1
REV2-150M	2 x 150	HIT		G12	-	11,4
REV1 3K 24	1 x 33,8	LED 3000K	24°	-	3600	4,97
REV1 4K 24	1 x 33,8	LED 4000K	24°	-	3600	4,97
REV1 3K 40	1 x 33,8	LED 3000K	40°	-	3600	4,97
REV1 4K 40	1 x 33,8	LED 4000K	40°	-	3600	4,97
REV2 3K 24	2 x 33,8	LED 3000K	24°	-	7200	6,69
REV2 4K 24	2 x 33,8	LED 4000K	24°	-	7200	6,69
REV2 3K 40	2 x 33,8	LED 3000K	40°	-	7200	6,69
REV2 4K 40	2 x 33,8	LED 4000K	40°	-	7200	6,69
REV1 KR 1X	-	-	-	-	-	-
REV1 KR 2X	-	-	-	-	-	-

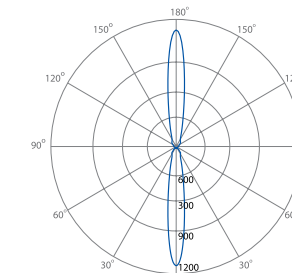
Code	Power, W	Light source	Light angle	Lamp holder	Light flux, lm	Weight, kg
REV1 KR 1X	-	-	-	-	-	-
REV1 KR 2X	-	-	-	-	-	-

- Light sources:** Light source - lamp HIT power up to 150 W with base - G12 or LED.
- Power supply:** Included with the product is the ballast (inductive ballast).
- Body material:** Body - cast aluminium, coating - powder coating with high resistance to weather impact.
Protection class - IP65.
- Diffuser:** Protective glass - tempered heat-and impact-resistant, thickness - 6 mm.
- Coating:** Powder coated. Colour: Anthracite + silver metallic (RAL 7039 Anthracite + RAL 9006 Silver).
- Connection:** To a 220 V, 50 Hz network, via a terminal block installed in the body of the luminaire.
The max. section of the connected conductors is up to 4 mm².

Light distribution curve



REVERSE 1



REVERSE 2

cd/1000 lm