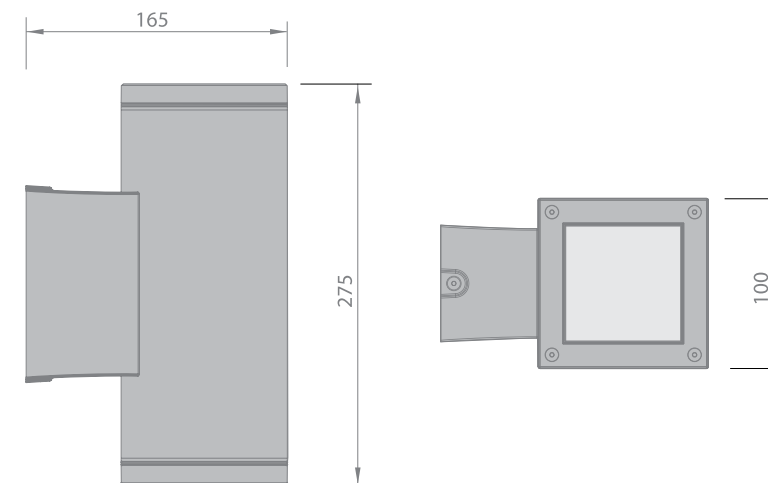
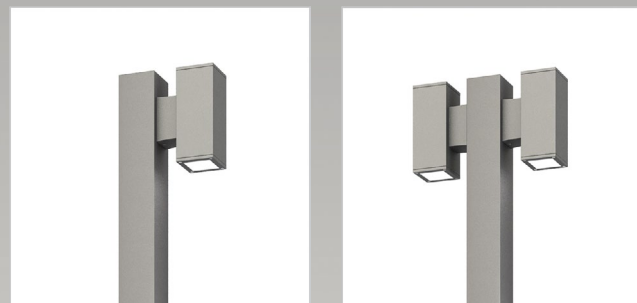


APPLICATION VARIANTS:
Installation of the BOX 1X luminaire on a 100x100 mm pole



- Light sources: LED
- Power supply: Included in the scope of supply.
- Design: Cast aluminium alloy.
- Mounting: on a vertical surface.
- Protection class - IP65.
- Diffuser: Protective glass - tempered
- Coating: Powder coated. Body colours (basic) - black (additional code - B), white (additional code - W), or grey metallic RAL 9006 (additional code - M). Coating in any colour from the standard colour range (p. 213).
- Connection: To a 220 V, 50 Hz network, via the terminal block installed in the body of the luminaire. The max. section of the connected conductors is up to 4 mm². Protection class - class 1.

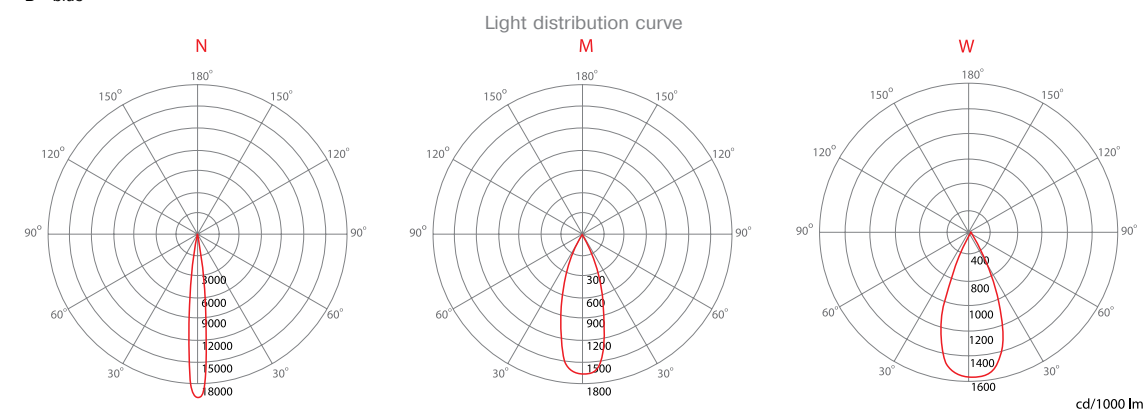
Facade Box



Code	Power, W	Light source	Light flux, lm	Weight, kg
BOX 1X 3K\4K\A\R\G\B - N/M/W	1 x 14	LED	1485	2
BOX 2X 3K\4K\A\R\G\B - N/M/W	2 x 14	LED	2970	2

LED colour codes:
3K - white 3000K
4K - white 4000K
A - yellow
R - red
G - green
B - blue

Lens light distribution codes:
N - narrow 14°
M - medium 22°
W - wide 40°



A luminaire order code consists of the product code - the product colour code from the standard colour range, for instance : BOX 1X W - N - GREY/MM